

Model

## Electric Pressure Washer

**1 500 PSI**

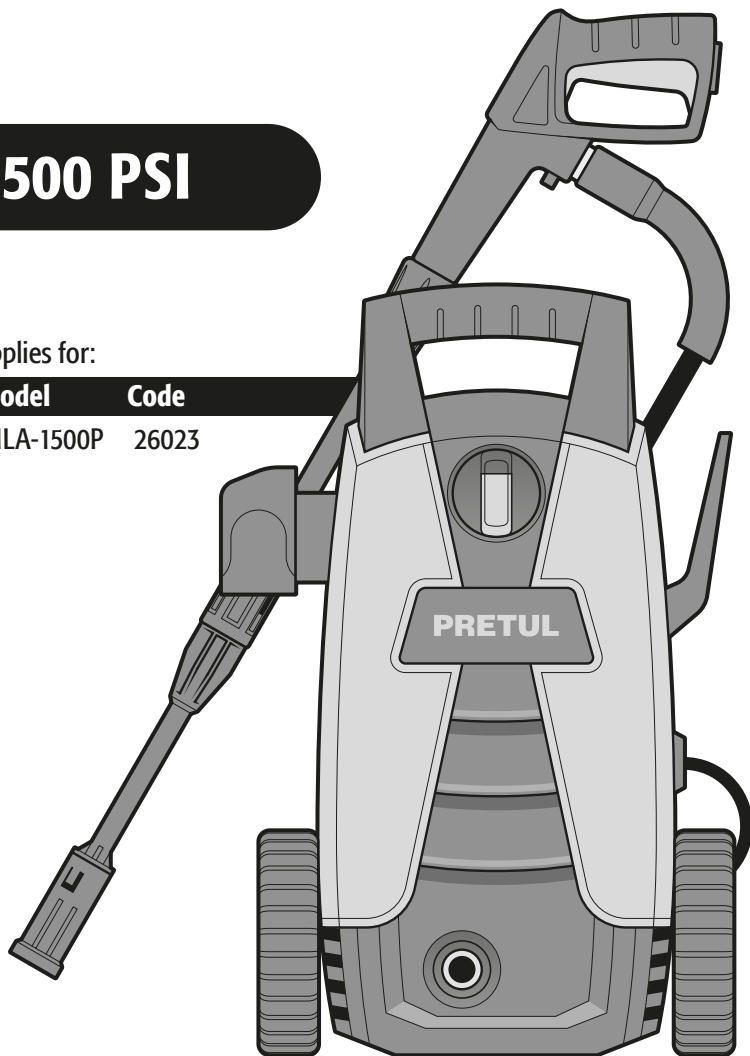
Applies for:

**Model**

**Code**



HILA-1500P

26023



Read the user's manual thoroughly  
before operating this tool.



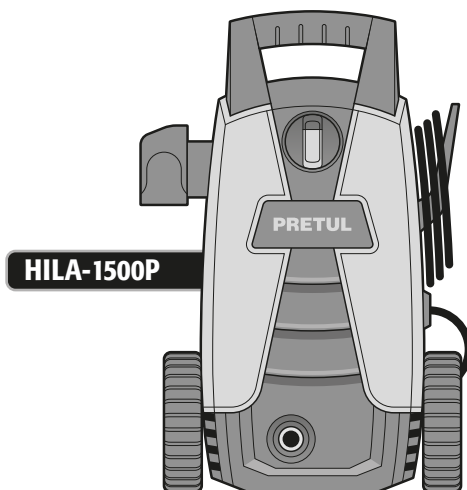
Technical Data .....	<b>3</b>
Power Requirements .....	<b>3</b>
 General Power Tool Safety Warnings .....	<b>4</b>
 Safety Warnings for using Pressure Washers .....	<b>5</b>
Parts .....	<b>6</b>
Assembly .....	<b>7</b>
Start Up .....	<b>8</b>
Maintenance .....	<b>9</b>
Troubleshooting .....	<b>10</b>
Authorized Service Centers .....	<b>11</b>
Warranty Policy .....	<b>12</b>

## CAUTION

To gain the best performance of the tool, prolong the duty life, make the Warranty valid if necessary, and to avoid hazards of fatal injuries please read and understand this Manual before using the tool.

Keep this manual for future references.

The illustrations in this manual are for reference only. They might be different from the real tool.



## HILA-1500P

Code	•	26023
Description	•	Electric Pressure Washer
Maximum Pressure	•	1 500 PSI
Minimum and Maximum Water Input Pressure	•	14 PSI - 58 PSI
Maximum Flow Rate	•	1,2 gpm
Maximum Input Temperature	•	122 °F
Power	•	127 V ~
Frequency	•	60 Hz
Noise Level	•	92 dB
Vibration Level	•	1,8 m/s <sup>2</sup>
Weight	•	9,9 lb
Work Cycle	•	50 minutes' work per 20 minutes' rest Maximum 3 hours daily.
Conductors	•	16 AWG x 2C with 140 °F insulation temperature
Insulation	•	Class II
IP Grade	•	IPX5

Power Cord Grips used in this product: Type "Y".

Tool Build Quality: Reinforced

Thermal insulation on motor winding: Class F

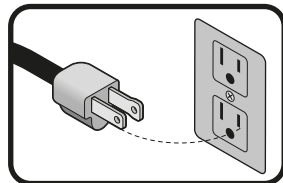
**⚠ WARNING** Avoid the risk of electric shock or severe injury. When the power cable gets damaged it should only be replaced by the manufacturer or at a **TRUPER** Authorized Service Center. The build quality of the electric insulation is altered if spills or liquid gets into the tool while in use. Do not expose to rain, liquids and/or dampness.

**⚠ WARNING** Before gaining access to the terminals all power sources should be disconnected.



## Power Requirements

**⚠ WARNING** Tools with double insulation and reinforced insulation are equipped with a polarized plug (one prong is wider than the other). This plug will only fit in the right way into a polarized outlet. If the plug cannot be introduced into the outlet, reverse the plug. If it still doesn't fit, call a qualified electrician to install for you a polarized outlet. Do not alter the plug in any way. Both insulation types eliminates the need of both a grounded third power cord with three prongs or a grounded power connection.



**⚠ WARNING** When using an extension cable, verify the gauge is enough for the power that your product needs. A lower gauge cable will cause voltage drop in the line, resulting in power loss and overheating. The following table shows the right size to use depending on cable's length and the ampere capability shown in the tool's nameplate. When in doubt use the next higher gauge.

Ampere Capacity	Number of Conductors	Extension gauge	
		from 6' to 49'	higher than 49'
from 0 A and up to 10 A	3 (one grounded)	18 AWG(*)	16 AWG
from 10 A and up to 13 A		16 AWG	14 AWG
from 13 A and up to 15 A		14 AWG	12 AWG
from 15 A and up to 20 A		8 AWG	6 AWG

\* It is safe to use only if the extensions have a built-in artifact for over current protection.

AWG = American Wire Gauge. Reference: NMX-J-195-ANCE

**⚠ WARNING** When operating power tools outdoors, use a **VOLTECK** grounded extension cable labeled "For Outdoors Use". These extensions are especially designed for operating outdoors and reduce the risk of electric shock.





**⚠ WARNING! Read carefully all safety warnings and instructions listed below.** Failure to comply with any of these warnings may result in electric shock, fire and / or severe damage. **Save all warnings and instructions for future references.**

### Work area

**Keep your work area clean, and well lit.**

Cluttered and dark areas may cause accidents.



**Never use the tool in explosive atmospheres, such as in the presence of flammable liquids, gases or dust.**

Sparks generated by power tools may ignite the flammable material.



**Keep children and bystanders at a safe distance while operating the tool.**

Distractions may cause losing control.



### Electrical Safety

**The tool plug must match the power outlet. Never modify the plug in any way. Do not use any adapter plugs with grounded power tools.**

Modified plugs and different power outlets increase the risk of electric shock.



**Avoid body contact with grounded surfaces, such as pipes, radiators, electric ranges and refrigerators.**

The risk of electric shock increases if your body is grounded.

**Do not expose the tool to rain or wet conditions.**

Water entering into the tool increases the risk of electric shock.

**Do not force the cord. Never use the cord to carry, lift or unplug the tool. Keep the cord away from heat, oil, sharp edges or moving parts.**

Damaged or entangled cords increase the risk of electric shock.

**When operating a tool outdoors, use an extension cord suitable for outdoor use.**

Using an adequate outdoor extension cord reduces the risk of electric shock.

**If operating the tool in a damp location cannot be avoided, use a ground fault circuit interrupter (GFCI) protected supply.**

Using a GFCI reduces the risk of electric shock.

### Personal safety

**Stay alert, watch what you are doing and use common sense when operating a tool. Do not use a power tool while you are tired or under the influence of drugs, alcohol or medication.**

A moment of distraction while operating the tool may result in personal injury.

**Use personal protective equipment. Always wear eye protection.**

Protective equipment such as safety glasses, anti-dust mask, non-skid shoes, hard hats and hearing protection used in the right conditions significantly reduce personal injury.



**Prevent unintentional starting up. Ensure the switch is in the "OFF" position before connecting into the power source and / or battery as well as when carrying the tool.**

Transporting power tools with the finger on the switch or connecting power tools with the switch in the "ON" position may cause accidents.

**Remove any wrench or vice before turning the power tool on.**

Wrenches or vices left attached to rotating parts of the tool may result in personal injury.

**Do not overreach. Keep proper footing and balance at all times.**

This enables a better control on the tool during unexpected situations.

**Dress properly. Do not wear loose clothing or jewelry. Keep hair, clothes and gloves away from the moving parts.**

Loose clothes or long hair may get caught in moving parts.



**If you have dust extraction and recollection devices connected onto the tool, inspect their connections and use them correctly.**

Using these devices reduce dust-related risks.

### Power Tools Use and Care

**Do not force the tool. Use the adequate tool for your application.**

The correct tool delivers a better and safer job at the rate for which it was designed.



**Do not use the tool if the switch is not working properly.**

Any power tool that cannot be turned ON or OFF is dangerous and should be repaired before operating.

**Disconnect the tool from the power source and / or battery before making any adjustments, changing accessories or storing.**

These measures reduce the risk of accidentally starting the tool.

**Store tools out of the reach of children. Do not allow persons that are not familiar with the tool or its instructions to operate the tool.**

Power tools are dangerous in the hands of untrained users.



**Service the tool. Check the mobile parts are not misaligned or stuck. There should not be broken parts or other conditions that may affect its operation. Repair any damage before using the tool.**

Most accidents are caused due to poor maintenance to the tools.




**Keep the cutting accessories sharp and clean.**

Cutting accessories in good working conditions are less likely to bind and are easier to control.

**Use the tool, components and accessories in accordance with these instructions and the projected way to use it for the type of tool when in adequate working conditions.**

Using the tool for applications different from those it was designed for, could result in a hazardous situation.

### Service

**Repair the tool in a  TRUPER Authorized Service Center using only identical spare parts.**

This will ensure that the safety of the power tool is maintained.

**Children or people with reduced physical, sensory or mental capabilities shall not operate the tool, neither inexperienced people or without knowledge in the use of the tool, unless supervised by a person responsible of their safety or if receiving previous instructions about the tool operation.**

Children shall be kept under supervision to double-check they will not play with the tool. Tight supervision shall be used with children or disabled persons to prevent from using or being close to any household tool.



This tool is in compliance with the Official Mexican Standard (NOM - Norma Oficial Mexicana).

# Safety Warnings for using Pressure Washers

# PRETUL®

• A certified electrician shall carry out the connection to the power supply. It is recommended to include in said supply a residual current device to interrupt the power supply if the grounded leakage current is exceeding 30 mA per 30 s or a device that delivers the ground circuit.

**⚠ WARNING** • This device has been designed to be used with the cleaning agent supplied or recommended by the manufacturer. Using other type of cleaning agents or chemical substances may seriously affect the device safety.

**⚠ WARNING** • Do not use the device in the presence of third parties unless wearing protective clothes.

**⚠ WARNING** • High-pressure jet may be dangerous if misused. The jet shall not be aimed directly against any living being, active electric equipment or the device.

• Do not aim the jet against yourselves or third parties to clean clothes or shoes.

• Disconnect the device from the power supply before carrying out user's maintenance.

• The pressure washer shall not be used by children or people with no training in its use.

• To guarantee the device safety, use original or factory approved spare parts.

**⚠ WARNING** • High pressure nozzles, guards and couplings are important for the device safety. Use only nozzles, guard and couplings recommended by the manufacturer.

• Do not use the device if the power cable of important parts in the device show damage, for example, safety devices, high-pressure nozzles, high-pressure gun, etc.

• If using an extension cord for the power cable, the plug and power supply shall be constructed against water seeping in.

**⚠ WARNING** • An inadequate extension cable can be dangerous.



## Before operating de pressure washer

**⚠ CAUTION** • Pressurized spray is very powerful and dangerous if misused. It is not recommended for painted surfaces, wood surfaces or articles attached with adhesive.

**⚠ WARNING** • Do not use bleach, chloride, chemical products or any other cleaner containing acid or that is not specific for pressure washers. Otherwise the devise can be seriously damaged.

• To minimize the amount of water entering in contact with the pressure washer during the operation, set it as far as possible from the place to be washed.

## When operating the pressure washer

**⚠ WARNING** • Wear eye protection and thick clothes.

• When spraying, always use both hands to gain total control of the lance.

**⚠ WARNING** • Never touch the nozzle or the water spray while the pressure washer is in operation.

• To allow free air circulation while being operated DO NOT cover it.

**⚠ WARNING** • Keep all the connections dry an above ground.

**⚠ WARNING** • Do not touch the plug with wet hands

## After operating the pressure washer

• Disconnect the power cable when not using the pressure washer and before removing the high-pressure hose.


**⚠ CAUTION** • When the pressure washer is not being used and to prevent an accidental discharge, enable the trigger lock in the spraying gun.

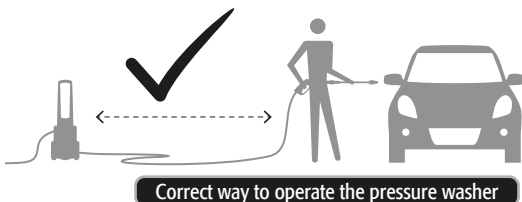
• Never make knots nor fold the high-pressure hose. It may get damaged.

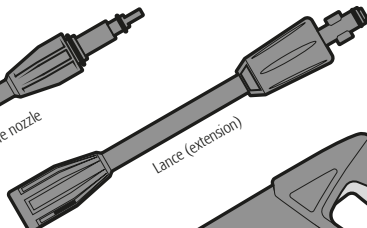
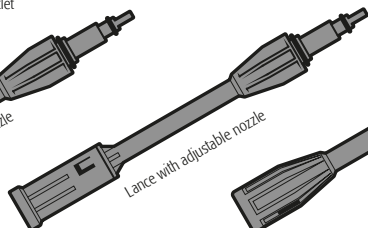
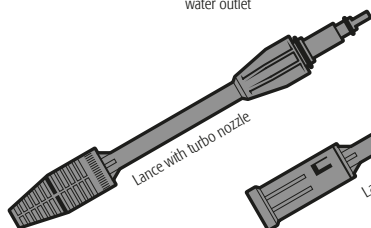
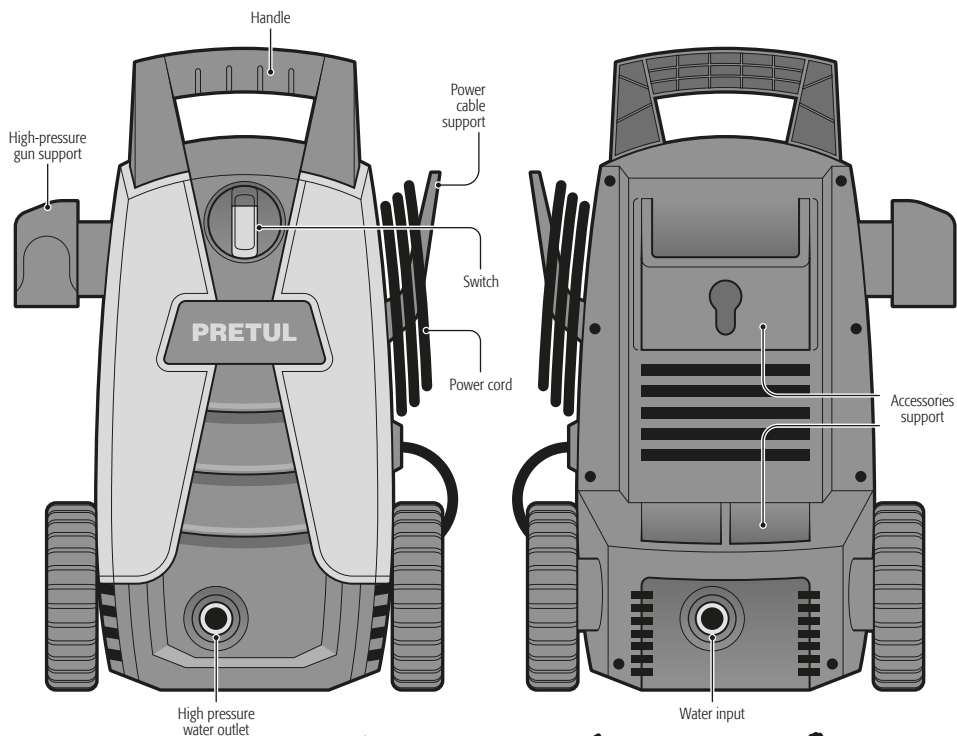
**⚠ CAUTION** • Do not use or store this product when temperature falls below 40 °F. The warranty will not cover damage due to freezing.

## Automatic stop

• The pressure washer is built with a stopping device that detects when the spraying gun trigger is released. It opens and electric circuit in the motor to stop the pressure washer.

**⚠ WARNING** • If the Automatic Stop fails, DO NOT USE the pressure washer. Contact a  **TRUPER** Authorized Service Center. Using the pressure washer in this condition may damage the device and / or cause personal injuries

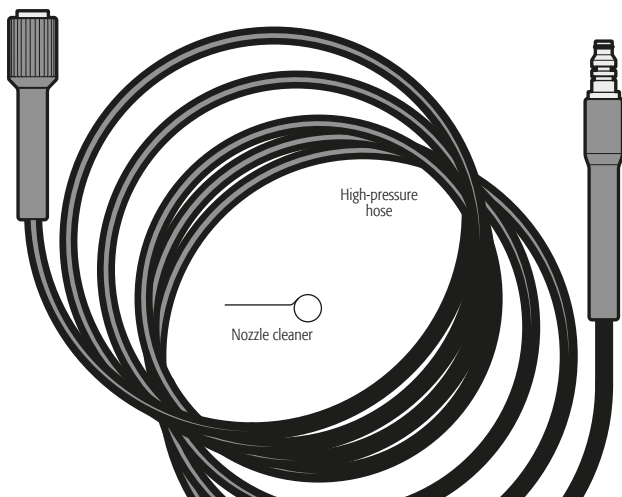




Water filters



Fast connector



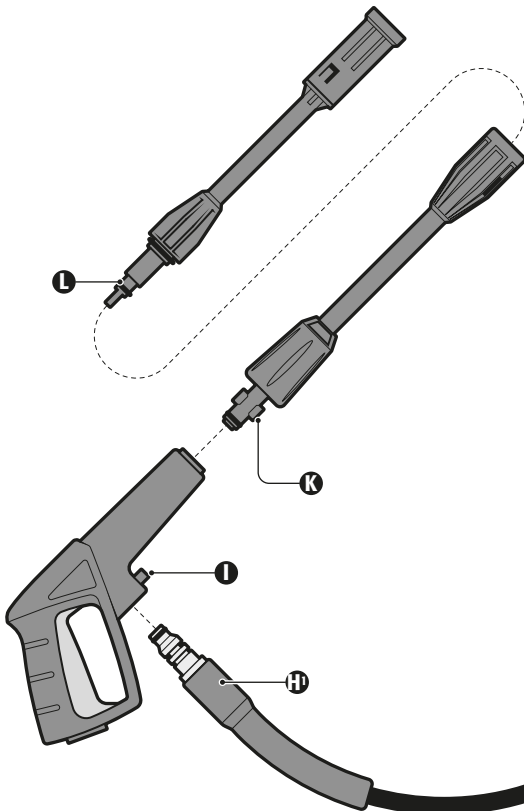
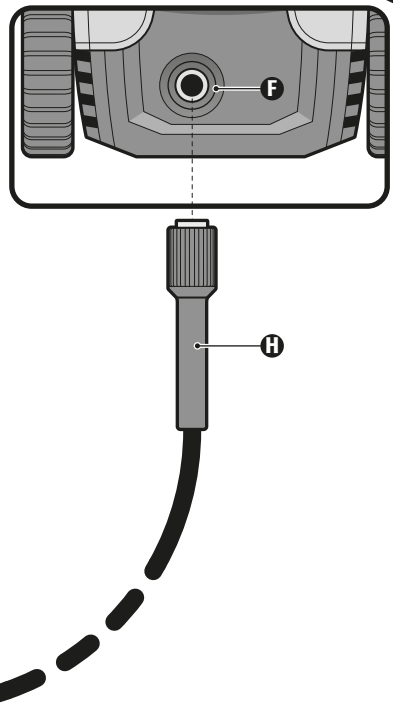
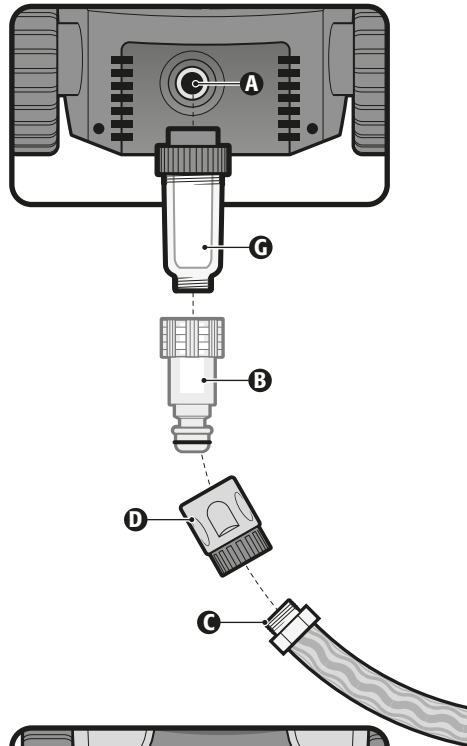
# Assembly

**PRETUL®**

- Remove the packaging caps in the device water inlet and outlet.
- Assemble the external filters (B) and (G) as indicated in the image and fix into the water inlet of the pressure washer (A).

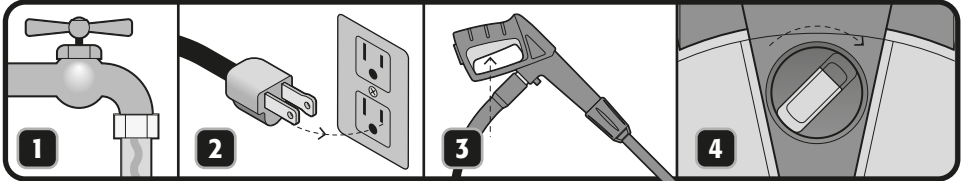
**⚠ CAUTION** Before disconnecting the garden hose, leave the water running through to expel any object inside it.

- Connect the garden hose (C, not included) to the fast connector (D) and the fast connector to the filters (B) and (G).
- Connect the high-pressure hose (H) into the pressure washer high pressure outlet (F). Turn clockwise to tighten the connection.
- Keep the button (I) pressed when connecting the high-pressure hose end (H') into the high-pressure gun. When the hose end butts, release the button to secure the hose and prevent leaks.
- Insert the "T" shaped lock of the lance (extension) (K) into the high-pressure gun notch, in a vertical position. When the lance is touching the spring, depress to fight the spring force and simultaneously turn the lance, a ¼ turn clockwise until the lance fits firmly in position.
- Repeat this procedure to set some of the lances (with turbo nozzle or adjustable nozzle) (L) into the lance (extension) (K) end.



## Turning ON

- Open the water faucet. Keep it open while using the pressure washer.
- Completely untangle the power cable and connect the plug into the power supply. In this step, do not turn ON the pressure washer.
- Press and hold the high-pressure gun trigger to release the air trapped inside the pressure washer. Release the trigger when the water flows constantly.
- Turn the switch into position **I** (ON). The motor will start momentarily and then, it will stop.



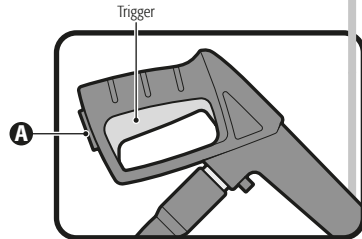
## Using standing water

- To use standing water instead of running water, set the standing water container at least 1 meter high regarding the ground level. It is necessary to have a safe and adequate connection (flexible hose).
- Before operating the pressure washer, double check the high-pressure hose is disconnected.
- Connect the flexible hose coming out of the standing water container into the pressure washer inlet. Verify the flow into the pressure washer is constant.
- Turn ON the pressure washer until water starts flowing. Leave the pressure washer ON one minute maximum.
- Turn OFF the pressure washer and connect the high-pressure hose. Now, you are ready to use the pressure washer.

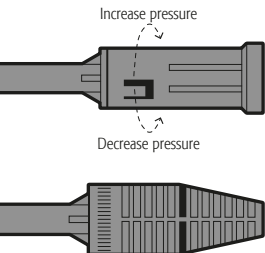
**⚠ WARNING** • It is important that the standing water container is full all the time. Using the pressure Washer dry more than 2 minutes will damage the high-pressure pump and it is not cover with the Warranty.

## Spraying

- Press the gun trigger to start spraying.
- To stop spraying, just release the trigger.
- The gun has a blocking button **(A)** to prevent accidental spraying. Pointing the gun to the front, the button will show to the left when the trigger is blocked and to the right, when it is released.



## Lance Nozzle




- Adjustable mist nozzle:  
Turn the nozzle to open or close the mist angle. The mist, with the open angle encompasses a wider surface and is ideal to rinse surfaces. With the angle closed, mist is aimed to one point and is ideal to clean.

- Turbo spray nozzle:  
High-pressure mist pattern for optimal cleaning. Keep the nozzle at a 8" minimum distance from the surface to be washed.



**⚠ WARNING** Disconnect the power cable from the power supply before carrying adjustments, service or maintenance to the pressure washer.

## Cleaning and care

- Keep the pressure washer free of dust. Never use water or chemical cleaners to clean the pressure washer. Clean only with a clean and dry cloth.
- Always keep the air vents clean and free of obstructions to guarantee the adequate cooling of the motor.
- Regularly inspect all the mounting screws and make sure the screws are tight. If one screw is losing, tighten immediately.
- The shield and the motor are the pressure water heart. Use care no grease or water affect them.
- Regularly check the power cable to detect any type of damage. If damaged, replace the cable in a  **TRUPER** Authorized Service Center.

## Lubrication of connections


The pressure washer hose, high-pressure gun and lances connections shall be cleaned regularly to prevent leaks and damage to each connection seals.

## Lubrication of nozzles

- Nozzles shall be regularly lubricated with non-soluble oil or light oil.
- A blocked nozzle makes the pressure pump pressure rise too much. It shall be cleaned immediately.
  - 1)** Remove blockage in the nozzle introducing the nozzle cleaner through the center orifice.
  - 2)** Purge the nozzle with water. Restart the pressure washer and press the spray gun trigger.If pressure is still high, repeat steps **1** and **2**.

## Lubrication of the pressure washer



- The pressure washer design includes a permanent lubrication system. It is not necessary to check and replace oil.

**⚠ CAUTION** If there is an oil leak, go to a  **TRUPER** Authorized Service Center.

## Water filter

- Any foreign particle entering the pressure washer pump can damage it. To prevent this possibility, the pressure washer is built with a water filter.
- The water filter inner screen shall be kept always clean to maintain a continuous water flow into the pressure washer preventing damages to the pump.
- To clean the screen, remove the water filter from the fast connector in the garden hose. Unthread to remove the screen. Handle with care to not damage it.
- Immediately, set back the screen and the fast connector of the garden hose to prevent foreign particles entering the pump.


## Carbon brushes replacement


- Carbon brushes shall be checked periodically and be replaced always in a  **TRUPER** Authorized Service Center when worn.
- After being replaced, ask the technician to inspect if the carbon brushes move freely in the carbon brushes housing. Ask to turn ON the pressure washer 5 minutes to even out the carbon brushes and commutator contact.
- Only use original  **TRUPER** spare carbons specifically designed with the hardness and electric resistance to each type of motor. Carbon brushes that are out of specification may damage the motor.
- When replacing carbon brushes always replace both.

## Winter storage

- Turn OFF the pressure washer and depress the trigger to release the pressure trapped inside the unit.
- Remove the garden hose and the pressure hose.
- Turn ON the pressure washer and leave it running 5 seconds to eliminate almost all the water trapped inside the pump.
- Disconnect the pressure washer and put away the cable.
- Store the pressure washer and the accessories in a dry environment with controlled temperature. Do not store the pressure washer and the accessories where temperature can drop to 40 °F.

**⚠ CAUTION** DAMAGE DUE TO FREEZING IS NOT COVERED BY THE WARRANTY.

Problem	Possible Cause	Solution
The pressure washer is not starting.	<ul style="list-style-type: none"> <li>• Pressure washer is not connected.</li> <li>• Faulty power supply.</li> <li>• Blown fuse.</li> <li>• Defective extension cable.</li> </ul>	<ul style="list-style-type: none"> <li>• Connect the pressure washer.</li> <li>• Use a different power supply.</li> <li>• Replace the fuse. Turn OFF other machines.</li> <li>• Replace the extension cable.</li> </ul>
Pressure is not constant.	<ul style="list-style-type: none"> <li>• The pump is drawing in air.</li> <li>• Dirty, worn, or stuck valves.</li> <li>• Worn pump seals.</li> </ul>	<ul style="list-style-type: none"> <li>• Check the hoses and connections have no leaks.</li> <li>• Clean the dirty parts and replace the worn ones.</li> <li>• Go to a  <b>TRUPER</b>® Authorized Service Center if the problem still persists.</li> </ul>
The pressure washer stops while working.	<ul style="list-style-type: none"> <li>• Blown fuse.</li> <li>• Incorrect power supply.</li> <li>• Thermal sensor is activated.</li> <li>• Nozzle partially blocked.</li> </ul>	<ul style="list-style-type: none"> <li>• Replace the fuse.</li> <li>• Turn OFF other machines. Check the voltage supply is matching the specified voltage specified in this instruction.</li> <li>• Allow the pressure washer to cool down.</li> <li>• Clean the nozzle.</li> </ul>
The fuse blows.	<ul style="list-style-type: none"> <li>• The fuse is too small.</li> </ul>	<ul style="list-style-type: none"> <li>• Change to an installation higher than the ampere consumption of the pressure washer.</li> <li>• Try not using the extension cable.</li> </ul>
The pressure washer is pulsating.	<ul style="list-style-type: none"> <li>• Air in the hose.</li> <li>• Wrong water supply.</li> <li>• Nozzle partially blocked.</li> <li>• Air filter blocked.</li> <li>• Tangled hose.</li> </ul>	<ul style="list-style-type: none"> <li>• Run the pressure washer with the trigger open until it runs regularly and pressure restarts.</li> <li>• Check the water supply meets the required specifications. Avoid using long and thin hoses. Minimum 1/2".</li> <li>• Clean the nozzle.</li> <li>• Clean the filter.</li> <li>• Straighten the hose.</li> </ul>
The pressure washer starts but no water comes out.	<ul style="list-style-type: none"> <li>• Frozen pump, hoses or accessories.</li> <li>• No water supplies.</li> <li>• The water filter is blocked.</li> <li>• The nozzle is blocked.</li> </ul>	<ul style="list-style-type: none"> <li>• Wait for the thawing of the pump, hoses or accessories.</li> <li>• Connect the water input.</li> <li>• Clean the filter.</li> <li>• Clean the nozzle.</li> </ul>

In the event of any problem contacting a Service Center, please see our webpage [www.truper.com](http://www.truper.com) to get an updated list, or call our toll-free numbers (800) 690-6990 or (800) 018-7873 to get information about the nearest  **TRUPER** Authorized Service Center.

AGUASCALIENTES	<b>DE TODO PARA LA CONSTRUCCIÓN</b> GRAL. BARRACAÑAN #1201, COL. GREMIAL, C.P. 20030, AGUASCALIENTES, AGS. TEL.: 449 994 0557	NUEVO LEÓN	<b>SUCURSAL MONTERREY</b> AV. STIVA #275, PARQUE INDUSTRIAL STIVA BARRAGAN, SAN NICOLAS DE LOS GARZA, C.P. 66420, MONTERREY, N.L. TEL.: 81 8352 8791 / 81 8352 8790
BAJA CALIFORNIA SUR	<b>SUCURSAL TIJUANA</b> AV. LA ENCANTADA, LOTE #5, PARQUE INDUSTRIAL EL FLORIDO II, C.P. 22244, TIJUANA, B.C. TEL.: 664 969 5100	OAXACA	<b>FIX FERRETERÍAS</b> AV. 20 DE NOVIEMBRE #910, COL. CENTRO, C.P. 68300, TUXTEPEC, OAX. TEL.: 287 106 3092
	<b>FIX FERRETERÍAS</b> FELIPE ANGELES ESQ. RUIZ CORTINEZ S/N, COL. PUEBLO NUEVO, C.P. 23670, CD. CONSTITUCIÓN, B.C.S. TEL.: 613 132 1115	PUEBLA	<b>SUCURSAL PUEBLA</b> AV. PERIFÉRICO #2-A, SAN LORENZO ALMECATLA, C.P. 72710, CUAUTLACINGO, PUE. TEL.: 222 282 8282 / 84 / 85 / 86
CAMPECHE	<b>TORNILLERÍA Y FERRETERÍA AAA</b> AV. ALVARO OBREGÓN #324, COL. ESPERANZA C.P. 24080 CAMPECHE, CAMP. TEL.: 981 815 2808	QUERÉTARO	<b>ARU HERRAMIENTAS S.A. DE C.V.</b> AV. PUERTO DE VERACRUZ #110, COL. RANCHO DE ENMEDIO, C.P. 76842, SAN JUAN DEL RÍO, QRO. TEL.: 427 268 4544
CHIAPAS	<b>FIX FERRETERÍAS</b> AV. CENTRAL SUR #27, COL. CENTRO, C.P. 30700, TAPACHULA, CHIS. TEL.: 962 118 4083	QUINTANA ROO	<b>FIX FERRETERÍAS</b> CARRETERA FEDERAL MZ. 46 LT. 3 LOCAL 2, COL. EJIDAL, C.P. 77170 PLAYA DEL CARMEN, Q.R. TEL.: 984 267 3140
CHIHUAHUA	<b>SUCURSAL CHIHUAHUA</b> AV. SILVESTRE TERRAZAS #128-11, PARQUE INDUSTRIAL BAFAR, CARRETERA MEXICO CUAUHTÉMOC, C.P. 31415, CHIHUAHUA, CHIH. TEL.: 614 434 0052	SAN LUIS POTOSÍ	<b>FIX FERRETERÍAS</b> AV. UNIVERSIDAD #1850, COL. EL PASEO, C.P. 78320, SAN LUIS POTOSÍ, S.L.P. TEL.: 444 822 4341
MÉXICO CITY	<b>FIX FERRETERÍAS</b> EL MONSTRUO DE CORREGIDORA, CORREGIDORA # 22, COL. CENTRO, C.P. 06060, CUAUHTÉMOC, CDMX. TEL.: 55 5522 5051 / 5522 4861	SINALOA	<b>SUCURSAL CULIACÁN</b> AV. JESUS KUMATE SUR #4301, COL. HACIENDA DE LA MORA, C.P. 80143, CULIACÁN, SIN. TEL.: 667 173 9139 / 173 8400
COAHUILA	<b>SUCURSAL TORREÓN</b> CALLE METAL MECÁNICA #280, PARQUE INDUSTRIAL ORIENTE, C.P. 27278, TORREÓN, COAH. TEL.: 871 209 68 23	SONORA	<b>FIX FERRETERÍAS</b> CALLE 5 DE FEBRERO #517, SUR LT. 25 MZ. 10, COL. CENTRO, C.P. 85000, CD. OBREGÓN, SON. TEL.: 644 413 2392
COLIMA	<b>BOMBAS Y MOTORES BYMTESA DE MANZANILLO</b> BLVD. MIGUEL DE LA MADRID #190, COL. 16 DE SEPTIEMBRE, C.P. 28239, MANZANILLO, COL. TEL.: 514 352 1986 / 352 8013	TABASCO	<b>SUCURSAL VILLAHERMOSA</b> CALLE HELIO LOTES 1, 2 Y 3 MZ. #1, COL. INDUSTRIAL, 2A ETAPA, C.P. 86010, VILLAHERMOSA, TAB. TEL.: 993 353 7244
DURANGO	<b>TORNILLOS ÁGUILA, S.A. DE C.V.</b> MAZURIO #200, COL. LUIS ECHEVERRÍA, DURANGO, DGO. TEL.: 618 817 1946 / 618 818 2844	TAMAULIPAS	<b>VM ORINGS Y REFACCIONES</b> CALLE ROSITA #527 ENTRE 20 DE NOVIEMBRE Y GRAL. RODRÍGUEZ, FRACC. REYNOSA, C.P. 88780, REYNOSA, TAMS. TEL.: 899 926 7552
ESTADO DE MÉXICO	<b>SUCURSAL CENTRO JILOTEPEC</b> AV. PARQUE INDUSTRIAL #1-A, JILOTEPEC, C.P. 54240, JILOTEPEC, EDO. DE MÉX. TEL.: 761 782 9101 EXT. 5728 Y 5102	TLAXCALA	<b>SERVICIOS Y HERRAMIENTAS INDUSTRIALES</b> PABLO SIDAR #132, COL. BARRIO DE SAN BARTOLOMÉ, C.P. 90970, SAN PABLO DEL MONTE, TLAX. TEL.: 222 271 7502
GUANAJUATO	<b>ÍA. FERRETERA NUEVO MUNDO S.A. DE C.V.</b> AV. MÉXICO - JAPÓN #225, CD. INDUSTRIAL, C.P. 38010, CELAYA, GTO. TEL.: 461 617 7578 / 79 / 80 / 88	VERACRUZ	<b>LA CASA DISTRIBUIDORA TRUPER</b> BLVD. PRIMAVERA, ESQ. HORTENSIA S/N, COL. PRIMAVERA C.P. 93308, POZA RICA, VER. TEL.: 782 823 8100 / 826 8484
GUERRERO	<b>CENTRO DE SERVICIO ECLIPSE</b> CALLE PRINCIPAL MZ.1 LT. 1, COL. SANTA FE, C.P. 39010, CHILPANCIINGO, GRO. TEL.: 747 478 5793	YUCATÁN	<b>SUCURSAL MÉRIDA</b> CALLE 33 #600 Y 602, LOCALIDAD ITZINCAB Y Mulsay, MPIO. UMÁN, C.P. 97390, MÉRIDA, YUC. TEL.: 999 912 2451
HIDALGO	<b>FERREPRECIOS S.A. DE C.V.</b> LIBERTAD ORIENTE #304 LOCAL 30, INTERIOR DE PASAJE ROBLEDO, COL. CENTRO, C.P. 43600, TULANCINGO, HGO. TEL.: 775 753 6615 / 775 753 6616	JALISCO	<b>SUCURSAL GUADALAJARA</b> AV. ADOLFO B. HORN # 6800, COL: SANTA CRUZ DEL VALLE, C.P.: 45655, TLAJOMULCO DE ZUÑIGA, JAL. TEL.: 33 3606 5285 AL 90
MICHOCÁN	<b>FIX FERRETERÍAS</b> AV. PASEO DE LA REPÚBLICA #3140-A, COL. EX-HACIENDA DE LA HUERTA, C.P. 58050, MORELIA, MICH. TEL.: 443 334 6858	MORELOS	<b>FIX FERRETERÍAS</b> CAPITAN ANZURES #95, ESQ. JOSÉ PERDIZ, COL. CENTRO, C.P. 62740, CUAUTLA, MOR. TEL.: 735 352 8931
NAVARIT	<b>HERRAMIENTAS DE TEPEC</b> MAZATLAN #117, COL. CENTRO, C.P. 63000, TEPEC, NAY. TEL.: 311 258 0540		

Model	Code	Brand
HILA-1500P	26023	<b>PRETUL®</b>

This product, its parts and components have a one year warranty against defects in its manufacture, operation and workmanship, except when: the product has been used in conditions other than those recommended, or has not been operated according to the instructions, or has been altered or repaired by personnel not authorized by **TRUPER**. In order to make the warranty valid or to purchase components and spare parts, you must present the product and its proof of purchase at Av. San Isidro #110, Col. Industrial San Antonio, ALC. Azcapotzalco, C.P. 02760, CDMX, Mex. or at the store where you bought it, or at a **TRUPER** service center listed in the attached warranty policy and/or at [www.truper.com](http://www.truper.com). Transportation costs resulting from compliance of this warranty will be covered by **TRUPER**. For questions or comments, call 800-690-6990.

Imported by: **Truper, S.A. de C.V.**, Parque Industrial #1, Jilotepec, Edo. de Méx., Méx. C.P. 54240, Made in China

Stamp of the business:

Delivery date:



**1**  
**YEAR**

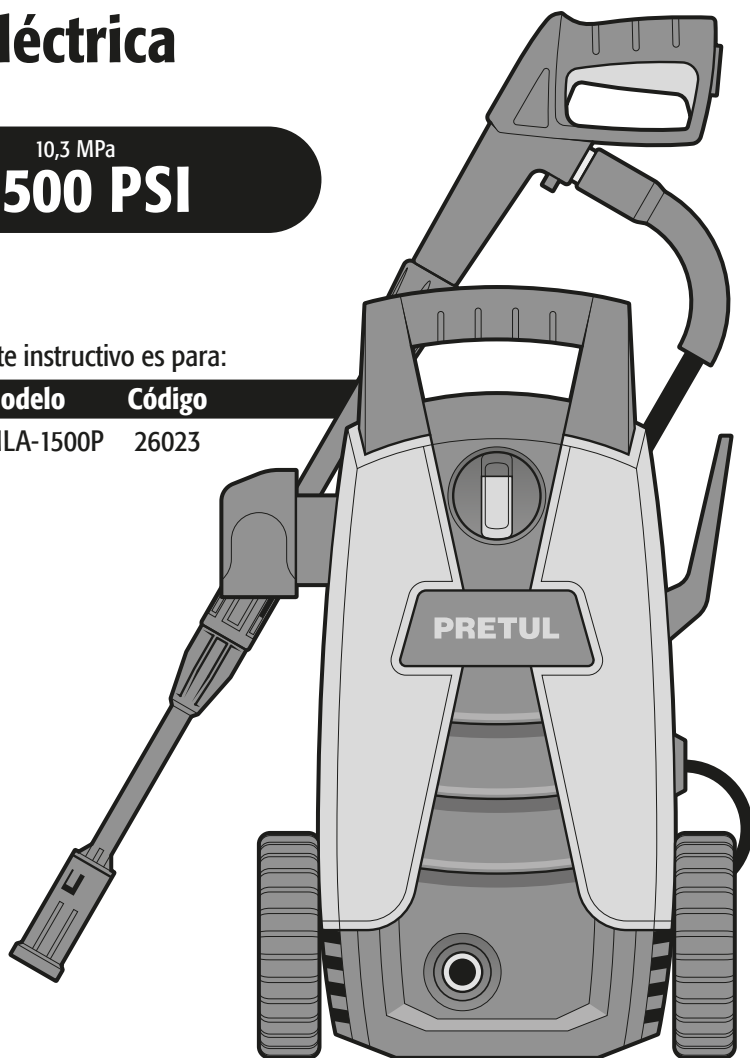
Instructivo de  
**Hidrolavadora  
eléctrica**

10,3 MPa  
**1 500 PSI**

Este instructivo es para:

**Modelo**      **Código**

HILA-1500P    26023



**! ADVERTENCIA**



No utilice el aparato  
sin leer el instructivo.



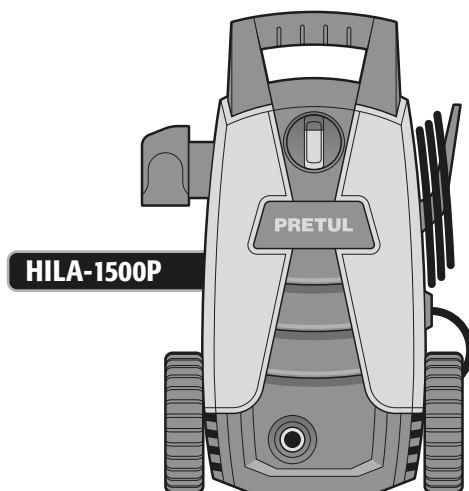
.....	<b>3</b>
.....	<b>3</b>
 Advertencias de Seguridad para herramientas eléctricas.....	<b>4</b>
 Advertencias de Seguridad para uso de hidrolavadoras eléctricas.....	<b>5</b>
Partes.....	<b>6</b>
Ensamble.....	<b>7</b>
Puesta en marcha.....	<b>8</b>
Mantenimiento.....	<b>9</b>
Solución de problemas.....	<b>10</b>
Centros de Servicio Autorizados.....	<b>11</b>
Póliza de Garantía.....	<b>12</b>

## **ATENCIÓN**

Para poder sacar el máximo provecho de la herramienta, alargar su vida útil, hacer válida la garantía en caso de ser necesario y evitar riesgos o lesiones graves, es fundamental leer este instructivo por completo antes de usar la herramienta.

Guarde este instructivo para futuras referencias.

Los gráficos de este instructivo son para referencia, pueden variar del aspecto real de la herramienta.



## HILA-1500P

Código	• 26023		
Descripción	• Hidrolavadora Eléctrica		
Presión máxima	• 10,3 MPa (1 500 PSI)		
Presión mínima y máxima de entrada de agua	• 0, 096 MPa - 0,399 MPa (14 PSI - 58 PSI)		
Tasa máxima de flujo	• 4,8 l/min		
Máxima temperatura de entrada	• 50 °C		
Tensión	• 127 V ~	Frecuencia	• 60 Hz
Nivel de ruido	• 92 dB		
Nivel de vibración	• 1,8 m/s <sup>2</sup>		
Peso	• 4,5 kg		
Ciclo de trabajo	• 50 minutos de trabajo por 20 de descanso. Máximo diario 3 horas.		
Conductores	• 16 AWG x 2C con temperatura de aislamiento de 60 °C		
Aislamiento	• Clase II	Grado IP	• IPX5

El cable de alimentación tiene sujeta-cables tipo: Y  
 La clase de construcción de la hidrolavadora es: Reforzada.  
 La clase de aislamiento térmico de los devanados del motor: Clase F

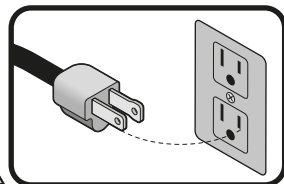
**⚠ ADVERTENCIA** Si el cable de alimentación se daña, éste debe ser reemplazado por el fabricante o Centro de Servicio Autorizado **TRUPER**, con el fin de evitar algún riesgo de descarga o accidente considerable. La construcción del aislamiento eléctrico de esta hidrolavadora es alterado por salpicaduras o derramamiento de líquidos durante su operación. No la exponga a la lluvia, líquidos y/o humedad.



**⚠ ADVERTENCIA** Antes de obtener acceso a las terminales, todos los circuitos de alimentación deben ser desconectados.

## Requerimientos eléctricos

**⚠ ADVERTENCIA** Las hidrolavadoras de doble aislamiento y aislamiento reforzado están equipadas con una clavija polarizada (una pata es más ancha que la otra). Esta clavija cabe en cualquier enchufe polarizado y sólo puede conectarse de una forma. Si la clavija no cabe en el enchufe, voltéelo. Si aún así no cabe, póngase en contacto con un electricista calificado o instale un enchufe polarizado. No altere la clavija en forma alguna. Ambos tipos de aislamiento eliminan la necesidad de un cable de corriente de tres patas con conexión a tierra o de un sistema de corriente eléctrica con conexión a tierra.



**⚠ ADVERTENCIA** Al usar un cable de extensión, asegúrese de usar el calibre suficiente para transportar la corriente que consumirá su hidrolavadora. Un cable de un calibre inferior ocasionará caídas de tensión en la línea, teniendo como resultado pérdida de potencia y sobrecalentamiento del motor. La siguiente tabla muestra el tamaño correcto que debe usarse dependiendo de la longitud del cable y de la capacidad de amperes indicada en la placa de datos de la hidrolavadora. Si tiene dudas use el siguiente calibre más alto.

Capacidad en Amperes	Número de conductores	Calibre de extensión	
		de 1,8 m a 7,6 m	mayor de 15 m
de 0 A hasta 10 A	3 (uno a tierra)	18 AWG(*)	16 AWG
de 10 A hasta 13 A		16 AWG	14 AWG
de 13 A hasta 15 A		14 AWG	12 AWG
de 15 A hasta 20 A		8 AWG	6 AWG

\* Se permite utilizarlo siempre y cuando las extensiones mismas cuenten con un artefacto de protección contra sobrecorriente.  
 AWG = Calibre de alambre estadounidense (American Wire Gauge). Referencia: NMX-J-195-ANCE

**⚠ ADVERTENCIA** Al operar hidrolavadoras eléctricas en exteriores, utilice una extensión aterrizada marcada como "Uso exterior" marca **VOLTECK**. Estas extensiones son especiales para el uso en exteriores y reducen el riesgo de sufrir una descarga eléctrica. Una extensión inadecuada puede ser peligrosa.



**¡ADVERTENCIA!** Lea detenidamente todas las advertencias de seguridad y todas las instrucciones que se enlistan a continuación. La omisión de alguna de ellas puede dar como resultado un choque eléctrico, incendio y/o daño serio. **Conserve las advertencias y las instrucciones para futuras referencias.**

### Área de trabajo

Mantenga el área de trabajo limpia y bien iluminada.

Las áreas desordenadas y oscuras son propensas a accidentes.



No maneje la herramienta en ambientes explosivos, como en presencia de líquido, gas o polvo inflamables.

Las herramientas eléctricas producen chispas que pueden encender material inflamable.



Mantenga alejados a los niños y curiosos cuando opere la herramienta.

Las distracciones pueden hacer que pierda el control.



### Seguridad eléctrica

La clavija de la herramienta debe coincidir con el tomacorriente. Nunca modifique una clavija. No use ningún tipo de adaptador para clavijas de herramientas puestas a tierra.

Clavijas modificadas y enchufes diferentes aumentan el riesgo de choque eléctrico.



Evite el contacto del cuerpo con superficies puestas a tierra como tuberías, radiadores, cocinas eléctricas y refrigeradores.

Hay un mayor riesgo de choque eléctrico si el cuerpo está puesto a tierra.

No exponga la herramienta a la lluvia o condiciones de humedad.

El agua que ingresa en la herramienta aumenta el riesgo de choque eléctrico.

No fuerce el cable. Nunca use el cable para transportar, levantar o desconectar la herramienta. Mantenga el cable lejos del calor, aceite, orillas afiladas o piezas en movimiento.

Los cables dañados o enredados aumentan el riesgo de choque eléctrico.

Cuando maneje una herramienta en exteriores, use una extensión especial para uso en exteriores.

El uso de una extensión adecuada para exteriores reduce el riesgo de choque eléctrico.

Si el uso de la herramienta en un lugar húmedo es inevitable, use una alimentación protegida por un interruptor de circuito de falla a tierra (GFCI).

El uso de un GFCI reduce el riesgo de choque eléctrico.

### Seguridad personal

Esté alerta, vigile lo que está haciendo y use el sentido común cuando maneje una herramienta. No la use si está cansado o bajo la influencia de drogas, alcohol o medicamentos.

Un momento de distracción mientras maneja la herramienta puede causar un daño personal.

Use equipo de seguridad. Use siempre protección para los ojos.

El uso de equipo de seguridad como lentes de seguridad, mascarilla antipolvo, zapatos antiderrapantes, casco y protección para los oídos en condiciones apropiadas, reduce de manera significativa los daños personales.



Evite arranques accidentales. Asegúrese de que el interruptor está en posición "apagado" antes de conectar a la fuente de alimentación y/o a la batería o transportar la herramienta.

Transportar herramientas eléctricas con el dedo sobre el interruptor o conectar herramientas eléctricas que tienen el interruptor en posición de "encendido" puede causar accidentes.

Retire cualquier llave o herramienta de ajuste antes de arrancar la herramienta eléctrica.

Las llaves o herramientas que quedan en las partes rotativas de la herramienta pueden causar un daño personal.

No sobrepase su campo de acción. Mantenga ambos pies bien asentados sobre el suelo y conserve el equilibrio en todo momento.

Esto permite un mejor control de la herramienta en situaciones inesperadas.

Vista adecuadamente. No vista ropa suelta o joyas. Mantenga su pelo, su ropa y guantes alejados de las piezas en movimiento.

La ropa o el pelo sueltos o las joyas pueden quedar atrapados en las piezas en movimiento.



En caso de contar con dispositivos de extracción y recolección de polvo conectados a la herramienta, verifique sus conexiones y úselos correctamente.

El uso de estos dispositivos reduce los riesgos relacionados con el polvo.

### Uso y cuidados de la herramienta

No fuerce la herramienta. Use la herramienta adecuada para el trabajo a realizar.

La herramienta adecuada hace un trabajo mejor y más seguro cuando se usa al ritmo para el que fue diseñada.



No use la herramienta si el interruptor no funciona.

Cualquier herramienta eléctrica que no pueda encenderse o apagarse es peligrosa y debe repararse antes de ser operada.

Desconecte la herramienta de la fuente de alimentación y/o de la batería antes de efectuar cualquier ajuste, cambiar accesorios o almacenarla.

Estas medidas reducen el riesgo de arrancar la herramienta accidentalmente.

Almacene las herramientas fuera del alcance de los niños y no permita su manejo por personas no familiarizadas con las herramientas o con las instrucciones.



Las herramientas eléctricas son peligrosas en manos no entrenadas.

Déle mantenimiento a la herramienta. Compruebe que las partes móviles no estén desalineadas o trabadas, que no haya piezas rotas u otras condiciones que puedan afectar su operación. Repare cualquier daño antes de usar la herramienta.

Muchos accidentes son causados por el escaso mantenimiento de las herramientas.

Mantenga los accesorios de corte afilados y limpios.

Los accesorios de corte en buenas condiciones son menos probables de trabarse y más fáciles de controlar.

Use la herramienta, sus componentes y accesorios de acuerdo con estas instrucciones y de la manera prevista para el tipo de herramienta, en condiciones de trabajo adecuadas.

El uso de la herramienta para aplicaciones diferentes para las que está diseñada podría causar una situación de peligro.

### Servicio

Repare la herramienta en un Centro de Servicio Autorizado **TRUPER** usando sólo piezas de repuesto idénticas.

Para mantener la seguridad de la herramienta.

La máquina no debe de ser utilizada por niños ni por personas con capacidades físicas, sensoriales o mentales reducidas; tampoco por personas sin experiencia o conocimientos en su uso, a menos que estén supervisadas por una persona responsable de su seguridad o reciban instrucciones previas sobre el uso de la máquina.

Los niños deben de estar bajo supervisión para asegurarse de que no jueguen con la máquina. Se debe de mantener una estricta supervisión si niños o personas discapacitadas llegan a utilizar cualquier tipo de aparato electrodoméstico o estén cerca de él.





# Advertencias de Seguridad

## para uso de hidrolavadoras eléctricas

# PRETUL®

• La conexión a la alimentación eléctrica debe realizarse por un electricista calificado. Se recomienda que dicha alimentación incluya un dispositivo de corriente residual que interrumpa la alimentación si la corriente de fuga puesta a tierra excede 30 mA por 30 s o un dispositivo que proporcione el circuito a tierra.

**⚠ ADVERTENCIA** • Este aparato ha sido diseñado para uso con el agente de limpieza proporcionado o recomendado por el fabricante. El uso de otros agentes de limpieza o químicos pueden afectar seriamente la seguridad del aparato.

**⚠ ADVERTENCIA** • No utilice el aparato en presencia de varias personas a menos que utilicen ropa que los proteja.

**⚠ ADVERTENCIA** • El chorro de alta presión puede ser peligroso si se le da un mal uso. El chorro no debe dirigirse directamente contra cualquier ser vivo, equipo eléctrico activo o el aparato en sí mismo.

• No dirigir el chorro de agua en contra de sí mismo u otras personas para limpiar la ropa o el calzado.

• Desconectar de la alimentación eléctrica antes de llevar a cabo un mantenimiento por el usuario.

• La hidrolavadora no debe utilizarse por niños o por personas sin capacitación para usarla.

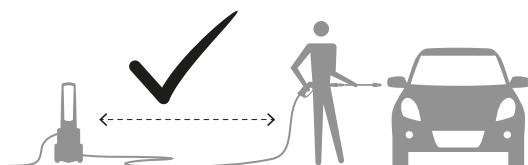
• Para garantizar la seguridad del aparato, utilice piezas de reemplazo originales o aprobadas por el fabricante.

**⚠ ADVERTENCIA** • Las boquillas de alta presión, guardas y acopladores son importantes para la seguridad del aparato. Utilice únicamente boquillas, guardas y acopladores recomendados por el fabricante.

• No utilice el aparato si el cable de alimentación o partes importantes del aparato presentan algún daño, por ejemplo los dispositivos de seguridad, boquillas de alta presión, pistola de alta presión, etc.

• Si se utiliza una extensión para el cable, la clavija y el receptáculo deben tener una construcción contra la entrada de agua.

**⚠ ADVERTENCIA** • Una extensión del cordón inadecuada puede ser peligrosa.



forma correcta de operar la hidrolavadora



formas incorrectas de operar la hidrolavadora

## Antes de operar la hidrolavadora

**⚠ ATENCIÓN** • El rociado a presión es muy poderoso y es peligroso si se le da un mal uso. No se recomienda para usarse sobre superficies pintadas, superficies de madera o artículos pegados con adhesivo.

**⚠ ADVERTENCIA** • No utilice blanqueador, cloro, productos químicos o cualquier otro limpiador que contenga ácidos o que no sea específico para hidrolavadoras, de lo contrario podría dañarla seriamente.

• Para minimizar la cantidad de agua que pueda entrar en contacto con la hidrolavadora durante su operación, se debe ubicar lo más lejos posible del sitio que se va a lavar.

## Al operar la hidrolavadora

**⚠ ADVERTENCIA** • Utilice protección para los ojos y ropa gruesa.

• Al rociar siempre utilice ambas manos con el fin de tener un control total de la lanza.

**⚠ ADVERTENCIA** • Nunca toque la boquilla o el rociado de agua mientras la hidrolavadora esté operando.

• Para permitir que circule el aire libremente durante su operación, la hidrolavadora NO debe cubrirse.

**⚠ ADVERTENCIA** • Mantenga todas las conexiones eléctricas secas y arriba del piso.

**⚠ ADVERTENCIA** • No toque el contacto con las manos mojadas.

## Después de operar la hidrolavadora

• Desconecte el cable eléctrico cuando no utilice la hidrolavadora y antes de retirar la manguera de alta presión.

**⚠ ATENCIÓN** • Cuando la hidrolavadora no esté en uso y para prevenir una descarga accidental, se debe poner el seguro del gatillo a la pistola de rociado.

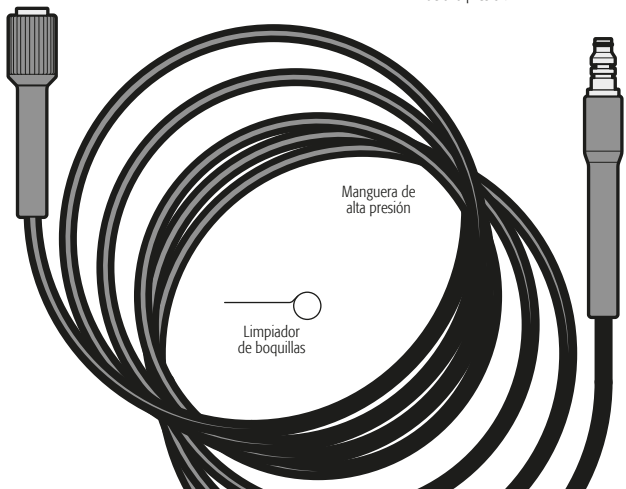
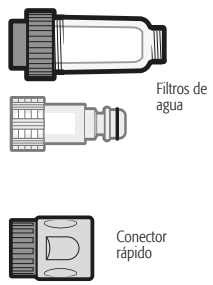
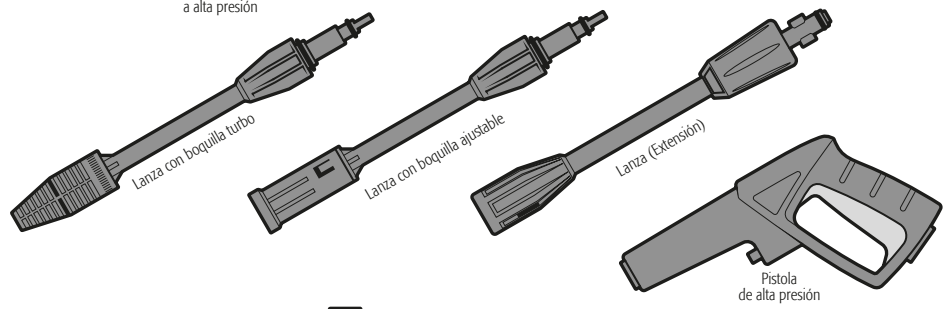
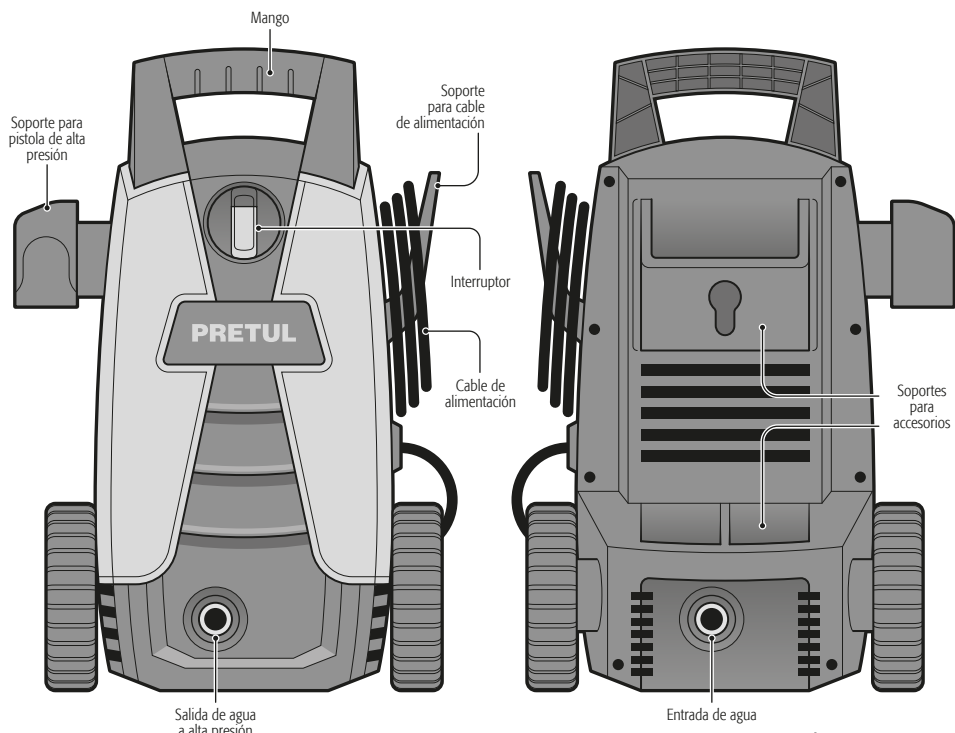
• Nunca haga nudos ni doble la manguera de alta presión. Se puede dañar.

**⚠ ATENCIÓN** • No utilice o almacene este producto en temperaturas por debajo de 4 °C (40 °F). La garantía no cubre daños por congelamiento.

## Paro automático

• La hidrolavadora está equipada con un dispositivo de paro que detecta cuando el gatillo de la pistola rociadora es liberado. Abriendo un circuito eléctrico en el motor para detener la hidrolavadora.

**⚠ ADVERTENCIA** • En caso de que falle el Paro Automático NO USE la hidrolavadora. Contacte a un Centro de Servicio Autorizado **TRUPER**. El uso de la hidrolavadora en estas condiciones puede dañarla y/o ocasionar lesiones personales.



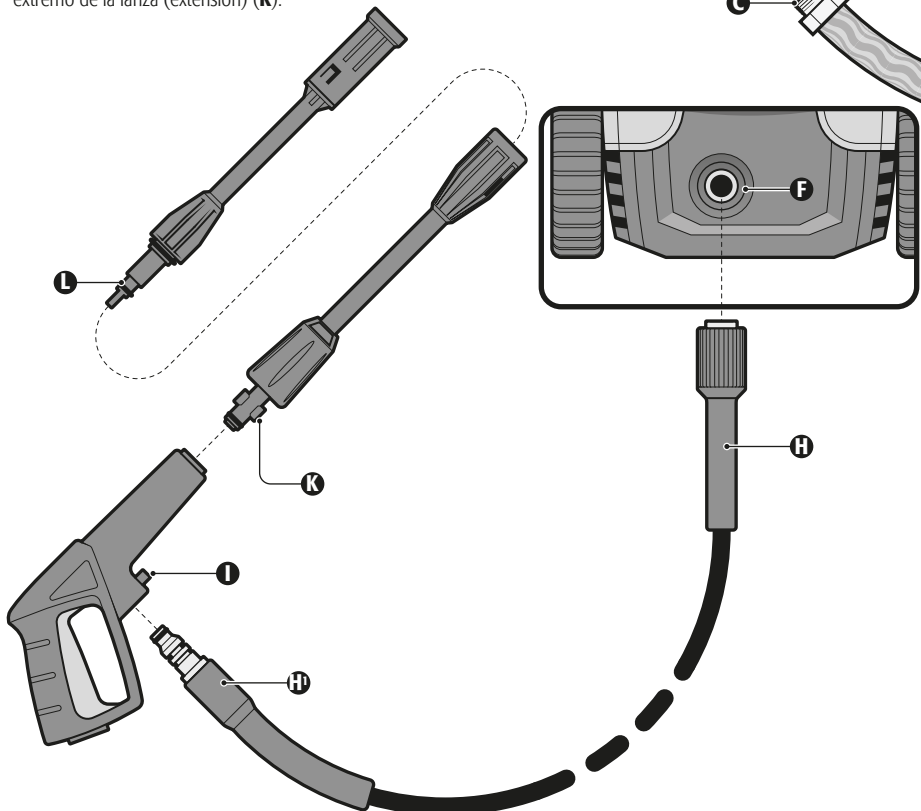
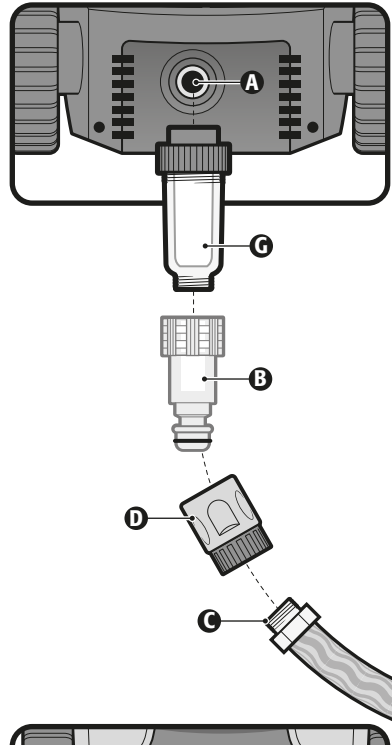
# Ensamble

# PRETUL®

- Retire los tapones de embalaje de la salida y entrada de agua del equipo.
- Ensamble los filtros externos (B) y (G) como se indica en la imagen y colóquelo en la entrada de agua de la hidrolavadora (A).

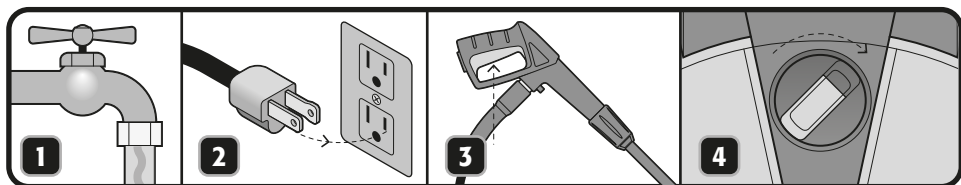
**⚠ ATENCIÓN** Antes de conectar la manguera de jardín, deje correr el agua por ella para expulsar cualquier objeto que tenga adentro.

- Conecte la manguera de jardín (C, no incluida) al conector rápido (D) y éste a los filtros (B) y (G).
  - Conecte la manguera de alta presión (H) a la salida de alta presión de la hidrolavadora (F). Gire en sentido de las manecillas del reloj para apretar la conexión.
  - Mantenga presionado el botón (I) al conectar el extremo de la manguera de alta presión (H') en la pistola de alta presión, cuando el extremo de la manguera tope, suelte el botón para asegurar la manguera y evitar fugas.
  - Inserte el seguro en "T" de la lanza (extensión) (K) en la ranura de la pistola de alta presión en posición vertical.
- Cuando la lanza alcance el resorte, presione para vencer la fuerza del resorte y gire simultáneamente la lanza 1/4 de vuelta en sentido de las manecillas del reloj, hasta que la lanza quede firmemente en su posición.
- Repita el procedimiento para colocar alguna de las lanzas (con boquilla turbo o boquilla ajustable) (L) en el extremo de la lanza (extensión) (K).



## Encendido

- Abra el grifo del agua y manténgalo así mientras utilice la hidrolavadora.
- Desenrede por completo el cable de alimentación y conecte la clavija al tomacorriente. No encienda aun la hidrolavadora.
- Apriete y sostenga el gatillo de la pistola de alta presión para liberar el aire atrapado en la hidrolavadora. Suelte el gatillo cuando el flujo del agua sea constante.
- Gire el interruptor hacia la posición **I** (ON). El motor arrancará momentáneamente y luego se detendrá.



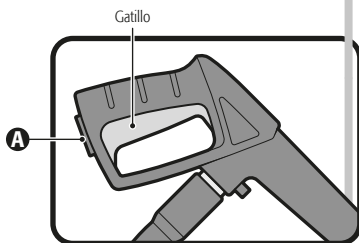
## Uso de agua estancada

- Para utilizar agua estancada en lugar de agua corriente coloque el recipiente de agua estancada por lo menos a 1 metro de altura con respecto al nivel del piso, es necesario que cuente con una conexión adecuada y segura (manguera flexible).
- Antes de operar la hidrolavadora asegúrese que la manguera de alta presión esté desconectada.
- Conecte la manguera flexible que viene del recipiente de agua estancada a la entrada de flujo de la hidrolavadora. Verifique que el flujo a la hidrolavadora sea constante.
- Encienda la hidrolavadora hasta que salga el agua. La hidrolavadora debe mantenerse encendida 1 minuto como máximo.
- Apague la hidrolavadora y conecte la manguera de alta presión. Ya puede utilizar la hidrolavadora.

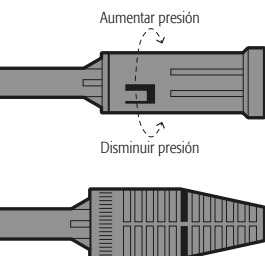
**⚠ ADVERTENCIA** • Es importante que el depósito de agua estancada siempre cuente con agua, ya que utilizar la hidrolavadora en seco más de dos minutos generaría daños en la bomba de alta presión que no están cubiertos por la garantía.

## Rociado

- Apriete el gatillo de la pistola para comenzar a rociar.
- Para interrumpir el rocío, simplemente suelte el gatillo.
- La pistola cuenta con un botón de bloqueo **(A)** para evitar rociados accidentales. Apuntando al frente la pistola el botón se asomará a la izquierda cuando el gatillo esté bloqueado y a la derecha cuando esté libre.



## Boquilla de la lanza



- Boquilla de rocío regulable:  
Gire la boquilla para abrir o cerrar el ángulo del rocío.  
Con el ángulo abierto el rocío abarca una superficie más amplia y es ideal para enjuagar superficies.  
Con el ángulo cerrado el rocío se dirige a un sólo punto y es ideal para limpiar.

- Boquilla de rociado turbo:  
Patrón de rociado de alta presión para una limpieza óptima. Mantenga la boquilla a una distancia mínima de 20 cm (8 pulgadas) de la superficie a lavar.

**⚠ ADVERTENCIA** Desconecte el cable de alimentación del tomacorriente antes de hacer cualquier ajuste, servicio o mantenimiento a la hidrolavadora.

## Limpieza y cuidados

- Mantenga la hidrolavadora libre de polvo. Nunca utilice agua o limpiadores químicos para limpiar la hidrolavadora. Limpie solamente con un trapo limpio y seco.
- Siempre mantenga las ventilas limpias y libres de obstrucciones para garantizar un enfriamiento adecuado del motor.
- Inspeccione regularmente todos los tornillos de montaje y asegúrese de que estén apretados correctamente. En caso de que alguno de los tornillos esté suelto, apriételo inmediatamente.
- La armadura y el motor son el corazón de la hidrolavadora. Tenga mucho cuidado de que no se vean afectados por aceite o agua.
- Revise periódicamente el cable de alimentación para detectar cualquier tipo de daño. En caso de estar dañados, haga cambiar el cable en un Centro de Servicio Autorizado **TRUPER**.

## Lubricación de conexiones

Las conexiones de las mangueras de la hidrolavadora, de la pistola de alta presión y de las lanzas, se deben limpiar con regularidad y se deben lubricar con grasa no soluble en agua con el fin de prevenir fugas y daños en los sellos de cada conexión.

## Lubricación de boquillas

Las boquillas se deben lubricar con grasa no soluble en agua o aceite ligero de manera regular.

Una boquilla bloqueada ocasiona que la presión en la bomba de presión suba demasiado. Se debe limpiar de inmediato.

- 1) Retire el bloqueo en la boquilla metiendo el limpiador de boquillas a través del orificio central.
- 2) Purgue la boquilla con agua. Vuelva a arrancar la hidrolavadora y presione el gatillo de la pistola de rociado. Si la presión sigue siendo alta repita los pasos 1 y 2.

## Lubricación de hidrolavadora

El diseño de la hidrolavadora incluye un sistema de lubricación permanente. No es necesario revisar y cambiar el aceite.

**⚠ ATENCIÓN** En caso de fuga de aceite recurra a un Centro de Servicio Autorizado **TRUPER**.

## Filtro de agua

- Cualquier partícula extraña que ingrese a la bomba de la hidrolavadora puede dañarla. Para evitar esta posibilidad, la hidrolavadora cuenta con el filtro de agua.
- La pantalla interna del filtro de agua debe mantenerse siempre limpia para mantener continuo el flujo de agua hacia la hidrolavadora, evitando así daños en la bomba.
- Para limpiar la pantalla retire el filtro de agua del conector rápido de la manguera de jardín y desenrosque para sacar la pantalla. Manéjela con cuidado para evitar dañarla.
- Inmediatamente vuelva a colocar la pantalla y el conector rápido de la manguera de jardín para evitar que entren partículas extrañas a la bomba.


## Cambio de carbones

- Los carbones deben revisarse periódicamente, y ser reemplazados siempre por un Centro de Servicio Autorizado **TRUPER** cuando se hayan desgastado. Después de que hayan sido reemplazados, pida que se inspeccione si los nuevos carbones pueden moverse libremente en el porta-carbón y solicite que enciendan la hidrolavadora durante 5 minutos para emparejar el contacto de los carbones y el conmutador.
- Sólo se deben de usar carbones de repuesto **TRUPER** originales, diseñados específicamente con la dureza y la resistencia eléctrica adecuadas para cada tipo de motor. Los carbones fuera de especificaciones pueden dañar el motor.
- Cuando se haga el cambio de carbones siempre deben reemplazarse los dos carbones.

## Almacenaje durante el invierno

- Apague la hidrolavadora (OFF) y presione el gatillo para liberar la presión atrapada dentro de la unidad.
- Retire la manguera de jardín y la manguera de presión.
- Encienda la hidrolavadora (ON) y déjela correr durante 5 segundos para eliminar casi toda el agua atrapada en la bomba.
- Desconecte la hidrolavadora y guarde el cable.
- Almacene la hidrolavadora y accesorios en un ambiente seco y con temperatura controlada. No almacene la hidrolavadora y sus accesorios en un sitio donde la temperatura baje a 4 °C (40 °F).

**⚠ ATENCIÓN** EL DAÑO POR CONGELAMIENTO NO ESTÁ CUBIERTO EN LA GARANTÍA.

Problema	Posible causa	Solución
La hidrolavadora no arranca.	<ul style="list-style-type: none"> <li>• La hidrolavadora no está conectada.</li> <li>• Tomacorriente defectuoso.</li> <li>• Fusible fundido.</li> <li>• Cable de extensión defectuoso.</li> </ul>	<ul style="list-style-type: none"> <li>• Conecte la hidrolavadora.</li> <li>• Use otro tomacorriente.</li> <li>• Cambie el fusible. Apague otras máquinas.</li> <li>• Cambie el cable de extensión.</li> </ul>
La presión no es constante.	<ul style="list-style-type: none"> <li>• La bomba está absorbiendo aire.</li> <li>• Válvulas sucias, gastadas o atoradas.</li> <li>• Sellos de la bomba gastados.</li> </ul>	<ul style="list-style-type: none"> <li>• Revise que las manguera y las conexiones no tengan fugas.</li> <li>• Limpie las partes sucias y reemplace las gastadas.</li> <li>• Acuda a un Centro de Servicio Autorizado  en caso de que el problema persista.</li> </ul>
La hidrolavadora se detiene durante el trabajo.	<ul style="list-style-type: none"> <li>• Fusible fundido.</li> <li>• Suministro de tensión incorrecto.</li> <li>• Sensor térmico activado.</li> <li>• Boquilla parcialmente bloqueada.</li> </ul>	<ul style="list-style-type: none"> <li>• Cambie el fusible.</li> <li>• Apague otras máquinas. Revise que el suministro de tensión corresponda a las especificadas en éste instructivo.</li> <li>• Permita que la hidrolavadora se enfríe.</li> <li>• Limpie la boquilla.</li> </ul>
El fusible se funde.	<ul style="list-style-type: none"> <li>• El fusible es demasiado pequeño.</li> </ul>	<ul style="list-style-type: none"> <li>• Cambie a una instalación más alta que el consumo de amperes de la hidrolavadora.</li> <li>• Intente sin usar el cable de extensión.</li> </ul>
La hidrolavadora tiene pulsaciones.	<ul style="list-style-type: none"> <li>• Hay aire en la manguera.</li> <li>• Suministro incorrecto de agua.</li> <li>• Boquilla parcialmente bloqueada.</li> <li>• Filtro de agua bloqueado.</li> <li>• Manguera enredada.</li> </ul>	<ul style="list-style-type: none"> <li>• Haga funcionar la hidrolavadora con el gatillo abierto hasta que funcione regularmente y se reinicie la presión.</li> <li>• Revise que el suministro de agua corresponda con las especificaciones requeridas. Evite usar mangueras largas y delgadas, mínimo de 12,7 mm (1/2").</li> <li>• Limpie la boquilla.</li> <li>• Limpie el filtro.</li> <li>• Estire la manguera.</li> </ul>
La hidrolavadora arranca pero no sale agua.	<ul style="list-style-type: none"> <li>• Bomba, mangueras o accesorios congelados.</li> <li>• No hay suministro de agua.</li> <li>• El filtro de agua está bloqueado.</li> <li>• La boquilla está bloqueada.</li> </ul>	<ul style="list-style-type: none"> <li>• Espere a que la bomba, mangueras o accesorios se descongelen.</li> <li>• Conecte la entrada de agua.</li> <li>• Limpie el filtro.</li> <li>• Limpie la boquilla.</li> </ul>

En caso de tener algún problema para contactar un Centro de Servicio consulte nuestra página [www.truper.com](http://www.truper.com) donde obtendrá un listado actualizado, o llame al teléfono: (800) 690-6990 ó (800) 018-7873 donde le informarán cuál es el Centro de Servicio Autorizado  **TRUPER** más cercano.

AGUASCALIENTES	<b>DE TODO PARA LA CONSTRUCCIÓN</b> GRAL. BARRAGÁN #1201, COL. GREMIAL, C.P. 20030, AGUASCALIENTES, AGS. TEL.: 449 994 0537	NUEVO LEÓN	<b>SUCURSAL MONTERREY</b> AV. STIVA #275, PARQUE INDUSTRIAL STIVA BARRAGAN, SAN NICOLAS DE LOS GARZA, C.P. 66420, MONTERREY, N.L. TEL.: 81 8352 8791 / 81 8352 8790
BAJA CALIFORNIA SUR	<b>SUCURSAL TIJUANA</b> AV. LA ENCANADA, LOTE #5, PARQUE INDUSTRIAL EL FLORIDO II, C.P. 22244, TIJUANA, B.C. TEL.: 664 969 5100	OAXACA	<b>FIX FERRETERÍAS</b> AV. 20 DE NOVIEMBRE #910, COL. CENTRO, C.P. 68300, TUXTEPEC, OAX. TEL.: 287 106 5092
CAMPECHE	<b>FIX FERRETERÍAS</b> FELIPE ÁNGELES ESQ. RUIZ CORTÍNEZ S/N, COL. PUEBLO NUEVO, C.P. 23670, CD. CONSTITUCIÓN, B.C.S. TEL.: 613 132 1115	PUEBLA	<b>SUCURSAL PUEBLA</b> AV. PERIFÉRICO #2-A, SAN LORENZO ALMECATLA, C.P. 72710, CUAUHLACINGO, PUE. TEL.: 222 282 8282 / 84 / 85 / 86
CHIAPAS	<b>TORNILLERÍA Y FERRETERÍA AAA</b> AV. ÁLVARO OBREGÓN #524, COL. ESPERANZA C.P. 24080 CAMPECHE, CAMP. TEL.: 981 815 2808	QUERÉTARO	<b>ARU HERRAMIENTAS S.A. DE C.V.</b> AV. PUERTO DE VERACRUZ #110, COL. RANCHO DE ENMEDIO, C.P. 76842, SAN JUAN DEL RÍO, QRO. TEL.: 427 268 4544
CHIHUAHUA	<b>FIX FERRETERÍAS</b> AV. CENTRAL SUR #27, COL. CENTRO, C.P. 30700, TAPACHULA, CHIS. TEL.: 962 118 4083	QUINTANA ROO	<b>FIX FERRETERÍAS</b> CARRETERA FEDERAL MZ. 46 LT. 3 LOCAL 2, COL. EJIDAL, C.P. 77710 PLAYA DEL CARMEN, Q.R. TEL.: 984 267 3140
CIUDAD DE MÉXICO	<b>SUCURSAL CHIHUAHUA</b> AV. SILVESTRE TERRAZAS #128-11, PARQUE INDUSTRIAL BAHÍ, CARRETERA MÉXICO CUAUHTÉMOC, C.P. 31415, CHIHUAHUA, CHIH. TEL.: 614 434 0052	SAN LUIS POTOSÍ	<b>FIX FERRETERÍAS</b> AV. UNIVERSIDAD #1850, COL. EL PASEO, C.P. 78320, SAN LUIS POTOSÍ, S.L.P. TEL.: 444 822 4341
COAHUILA	<b>FIX FERRETERÍAS</b> EL MONSTRUO DE CORREGIDORA, CORREGIDORA # 22, COL. CENTRO, C.P. 06060, CUAUHTÉMOC, CDMX. TEL.: 55 5522 5031 / 5522 4861	SINALOA	<b>SUCURSAL CULIACÁN</b> AV. JESÚS KUMATE SUR #4301, COL. HACIENDA DE LA MORA, C.P. 80143, CULIACÁN, SIN. TEL.: 667 173 9139 / 173 8400
COAHUILA	<b>SUCURSAL TORREÓN</b> CALLE METAL MECÁNICA #280, PARQUE INDUSTRIAL ORIENTE, C.P. 27278, TORREÓN, COAH. TEL.: 871 209 68 23	SONORA	<b>FIX FERRETERÍAS</b> CALLE 5 DE FEBRERO #517, SUR LT. 25 MZ. 10, COL. CENTRO, C.P. 85000, CD. OBREGÓN, SON. TEL.: 644 413 2392
COLIMA	<b>BOMBAS Y MOTORES BYMTESA DE MANZANILLO</b> BLVD. MIGUEL DE LA MADRID #190, COL. 16 DE SEPTIEMBRE, C.P. 28239, MANZANILLO, COL. TEL.: 314 332 1986 / 332 8013	TABASCO	<b>FIX FERRETERÍAS</b> CALLE 5 DE FEBRERO #517, SUR LT. 25 MZ. 10, COL. CENTRO, C.P. 85000, CD. OBREGÓN, SON. TEL.: 644 413 2392
DURANGO	<b>SUCURSAL VILLAHERMOSA</b> CALLE HELIO LOTES 1, 2 Y 3 MZ. #1, COL. INDUSTRIAL, 2A ETAPA, C.P. 86010, VILLAHERMOSA, TAB. TEL.: 993 353 7244	TAMAULIPAS	<b>VM ORINGS Y REFACCIONES</b> CALLE ROSTIA #527 ENTRE 20 DE NOVIEMBRE Y GRAL. RODRÍGUEZ, FRACC. REYNOSA, C.P. 88780, REYNOSA, TAMS. TEL.: 899 926 7552
ESTADO DE MÉXICO	<b>TORNILLOS ÁGUILA, S.A. DE C.V.</b> MAZURIO #200, COL. LUIS ECHEVERRÍA, DURANGO, DGO. TEL.: 618 817 1946 / 618 818 2844	TLAXCALA	<b>SERVICIOS Y HERRAMIENTAS INDUSTRIALES</b> PABLO SIDAR #132, COL. BARRIO DE SAN BARTOLOMÉ, C.P. 90970, SAN PABLO DEL MONTE, TLAX. TEL.: 222 271 7502
GUANAJUATO	<b>SUCURSAL CENTRO JILOTEPEC</b> AV. PARQUE INDUSTRIAL #1-A, JILOTEPEC, C.P. 54240, JILOTEPEC, EDO. DE MÉX. TEL.: 761 782 9101 EXT. 5728 Y 5102	VERACRUZ	<b>LA CASA DISTRIBUIDORA TRUPER</b> BLVD. PRIMAVERA, ESQ. HORTENSIA S/N, COL. PRIMAVERA, C.P. 93308, POZA RICA, VER. TEL.: 782 823 8100 / 826 8484
GUERRERO	<b>CIÁ. FERRETERA NUEVO MUNDO S.A. DE C.V.</b> AV. MÉXICO - JAPÓN #225, CD. INDUSTRIAL, C.P. 38010, CELAYA, GTO. TEL.: 461 617 7578 / 79 / 80 / 88	YUCATÁN	<b>SUCURSAL MÉRIDA</b> CALLE 33 #600 Y 602, LOCALIDAD ITZINCAB Y MULSAY, MPIO. UMANÁ, C.P. 97390, MÉRIDA, YUC. TEL.: 999 912 2451
HIDALGO	<b>CENTRO DE SERVICIO ECLIPSE</b> CALLE PRINCIPAL MZ1 LT. 1, COL. SANTA FE, C.P. 39010, CHILPANCIINGO, GRO. TEL.: 747 478 5793		
JALISCO	<b>FERREPRECIOS S.A. DE C.V.</b> LIBERTAD ORIENTE #304 LOCAL 30, INTERIOR DE PASAJE ROBLEDO, COL. CENTRO, C.P. 43600, TULANCINGO, HGO. TEL.: 775 753 6615 / 775 753 6616		
JALISCO	<b>SUCURSAL GUADALAJARA</b> AV. ADOLFO B. HORN # 6800, COL. SANTA CRUZ DEL VALLE, C.P.: 45655, TLAJOMULCO DE ZUNIGA, JAL. TEL.: 33 3606 5285 AL 90		
MICHOACÁN	<b>FIX FERRETERÍAS</b> AV. PASEO DE LA REPÚBLICA #3140-A, COL. EX-HACIENDA DE LA HUERTA, C.P. 58050, MORELIA, MICH. TEL.: 443 334 6858		
MORELOS	<b>FIX FERRETERÍAS</b> CAPITÁN ANZURES #95, ESQ. JOSÉ PERDIZ, COL. CENTRO, C.P. 62740, CUAUTLA, MOR. TEL.: 735 352 8931		
NAYARIT	<b>HERRAMIENTAS DE TEPIC</b> MAZATLAN #117, COL. CENTRO, C.P. 63000, TEPIC, NAY. TEL.: 311 258 0540		

Modelo	Código	Marca
HILA-1500P	26023	PRETUL®

Este producto, sus piezas y componentes están garantizados por 1 año contra defectos de fabricación, funcionamiento y mano de obra, excepto cuando: el producto haya sido usado en condiciones distintas a las recomendadas, o no se haya operado de acuerdo al instructivo, o haya sido alterado o reparado por personal no autorizado por **TRUPER®**. Para hacer válida la garantía o adquirir piezas y componentes deberá presentar el producto y su comprobante de compra en Av. San Isidro #110, Col. Industrial San Antonio, Alc. Azcapotzalco, C.P. 02760, CDMX, Méx. o en el establecimiento donde lo compró, o en algún Centro de Servicio **TRUPER®** de los enlistados en el anexo de la póliza de garantía y/o en [www.truper.com](http://www.truper.com). Los gastos de transportación que resulten para su cumplimiento serán cubiertos por **TRUPER®**. Para dudas o comentarios, llame al **800-690-6990**.

Importado por:

**Truper, S.A. de C.V.** Parque Industrial #1, Jilotepec, Edo. de Méx., Méx. C.P. 54240.

Hecho en China.

Sello del establecimiento comercial:

Fecha de entrega:



**1**  
**AÑO**